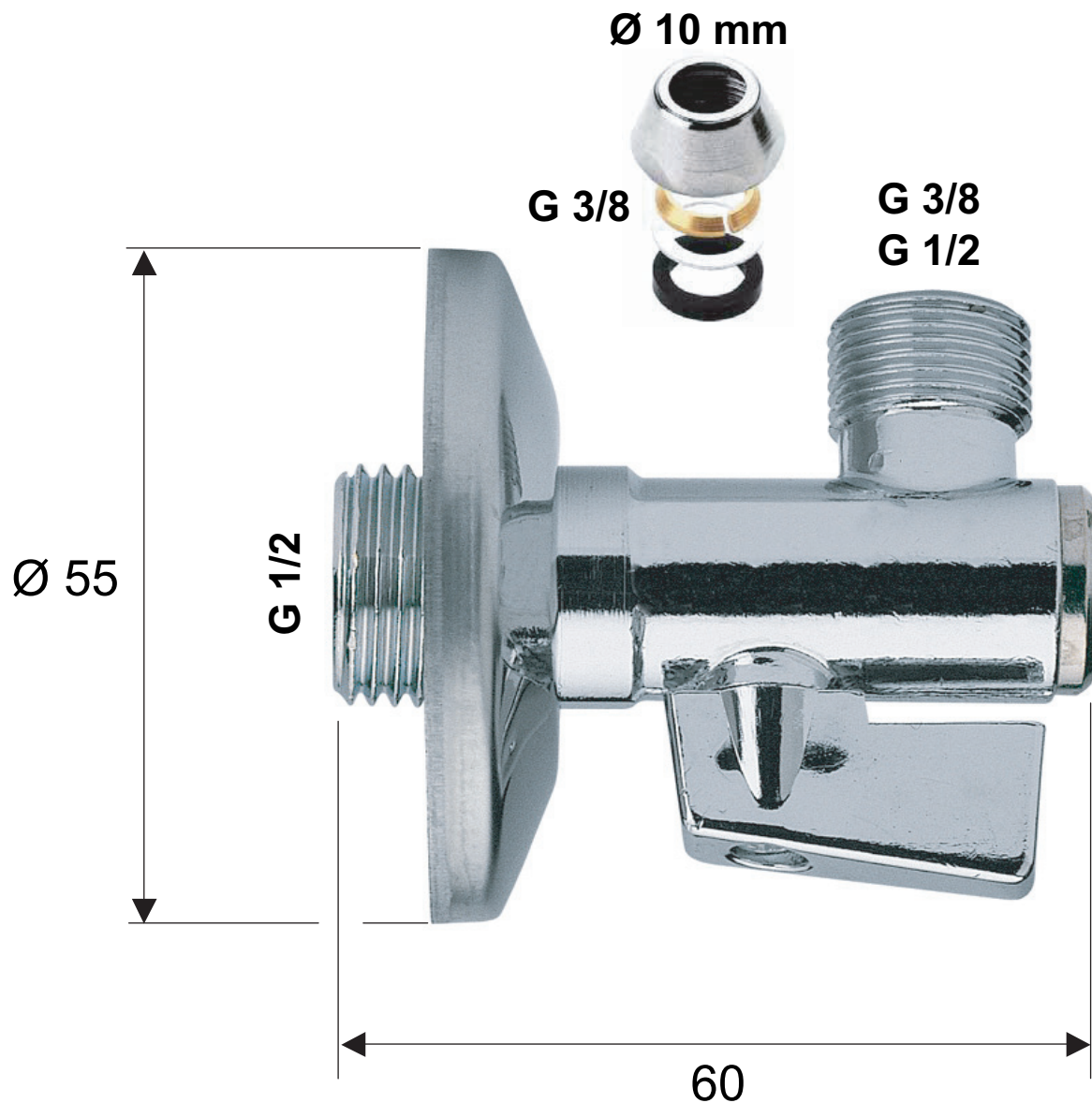


ART. COD.

A620 $\frac{1}{2} \times \frac{3}{8} - \frac{1}{2} \times 10$
 $\frac{1}{2} \times \frac{1}{2}$



MATERIALI / MATERIALS

OTTONE CROMATO / CHROME PLATED BRASS
ABS CROMATO / CHROME PLATED ABS

CROMATURA / CHROME PLATING

UNI EN 248